

134B561B190 30" Lawn Tractor R-10 (1994)
Complete Assembly

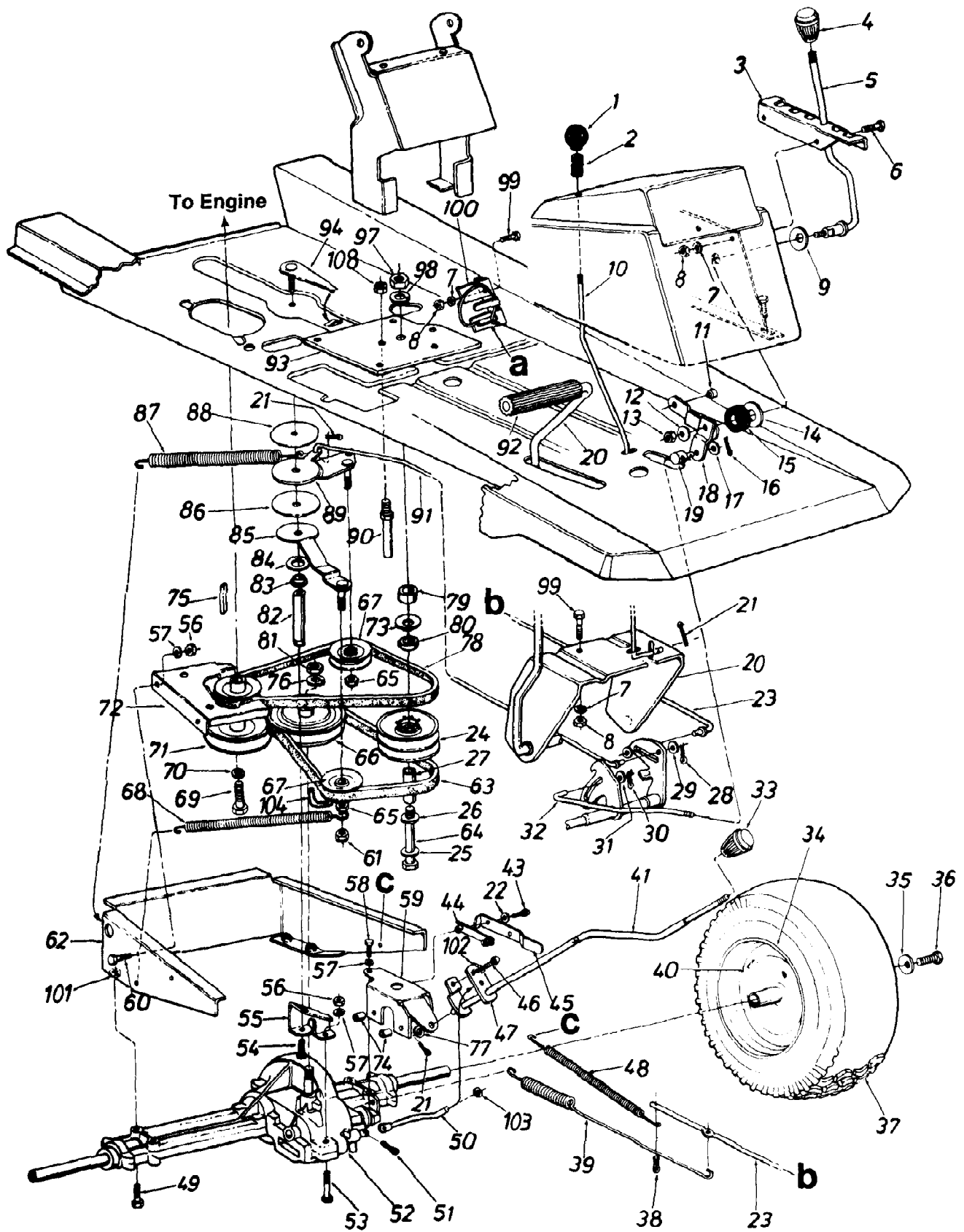
Page 2 of 18

Ref #	Part Number	Qty	S/P/F	Description
1		1		Engine
2	15572A	1	S	Engine Mounting Plate
3	710-0158	1	S/F	Hex Bolt 5/16-24 x 1.25" Lg.
4	736-0231	1	S	Fl - Wash. .330" I.D. x 1.125" O.D.
5	722-0153	1	S	Engine Mounting Grommet
6	750-0539	1	S	Spacer .315" I.D. x .50" O.D. x .520" Lg.
7	726-0209	1	/P	Cable Tie 30.6" Lg.
8	710-0502A	1	/P	Hex Wash. Hd. Self - Tap Scr. 3/8-16 x 1.25" Lg.
9	751-3071	1	S	Gas Cap
10	751-0368A	1	S	Fuel Tank
11	751-0535-26	1	S	Gas Line - 26 Inches
12	726-0205	1	/P	Hose Clamp - 1/2" O.D. Tube
14	710-0380	1	S/F	Hex Bolt 5/16-18 x 1.75" Lg.
15	710-0116	1	S/F	Hex Bolt 5/16-18 x 2.0" Lg.
16	731-0712A	1		Front Console
17	710-0906	1	S	Plastite Scr. 5/16 x 1.25" Lg.
19	17672A	1		Main Frame
20	736-0119	1	S/F	L - Wash. 5/16" I.D.
21	712-0267	1	S/F	Hex Nut 5/16-18 Thd.
22	735-0220A	1		Floor Mat
23	710-0779A	1	/P	Truss Mach. AB-Tap Scr. #10 x .50" Lg.
25	726-0175	1	/P	Clamp
26	736-0119	1	S/F	L - Wash. 5/16" I.D."
27	712-0123	1	/P/F	Hex Nut 5/16-24 Thd."
28	17677	1		Clutch - Brake Pedal Ass'y.
29	710-0118	1	S/F	Hex Bolt 5/16-18 x .75" Lg
30	712-0267	1	S/F	Hex Nut 5/16-18 Thd.
31	736-0119	1	S/F	L - Wash. 5/16" I.D.
32	783-0005	1		Variable Speed Mounting Plate
33	736-0329	1	S/F	L - Wash. 1/4" I.D.
34	712-0287	1	S/F	Hex Nut 1/4-20 Thd.
35	737-0125	1		90° Elbow Male To Female
36	731-0511-57	39" Req'		Trim Strip 57" Lg.
37	746-0614A	1	/P	Choke Control
39	15552	1		Transaxle Support Ass'y.
40	710-0118	1	S/F	Hex Bolt 5/16-18 x .75" Lg.
41	15571	1		Rear Frame Panel
42	710-0621	1	S/F	Hex Bolt 5/16-18 x .50" Lg.
43	721-0208	1	S	Exhaust Gasket
44	751-0413	1	S	Muffler Ass'y.
	751-0426	1	S	Spark Arrester Optional
45	738-0636	1	S	Shld, Bolt
46	736-0343	1	/P	Fl - Wash. .33" I.D. x 1.25" O.D.
47	736-0392	1		Flange Wash. .32" I.D. x .75" O.D.
48	710-0118	1	S	Hex Bolt 5/16-18 x .75" Lg.
49	15604	1		Seat Support & Frame Brkt.
50	710-0118	1	S/F	Hex Bolt 5/16-18 x .75" Lg.
55	710-0289	1	S/F	Hex Bolt 1/4-20 x .50" Lg.
56	15975A	1		Engine Cover Ass'y.
57	831-0823A	1	/P	Throttle Control Box Ass'y.
62	725-0201	1	S	Ignition Key

134B561B190 30" Lawn Tractor R-10 (1994)
Complete Assembly

Page 3 of 18

Ref #	Part Number	Qty	S/P/F	Description
63	725-0267	1	S	Ignition Switch
64	746-0503	1	S	Throttle Control Wire 35" Lg.
65	16483A	1		Front Seat Bracket
66	15606A	1	S	Rear Seat Bracket
68	738-0296	1	S	Shld. Bolt .437" Dia. x .268" Lg.
?69	712-0267	1	S/F	Hex Nut 5/16-18 Thd.
70	710-0855	1	S	Hex Tap Scr. 1/4-20 x 1.0" Lg.
71	736-0119	1	S/F	L - Wash. 5/16" I.D.
72	732-0632	1		Seat Spring
74	731-0555A	1	/P	Grommet
75	710-0623	1	/P	Hex Wash. Hd. Tap Scr. 3/8-16 x 3/4" Lg.
77	710-0118	1	S/F	Hex Bolt 5/16-18 x .75" Lg.
78	736-0242	1	/P	Bell - Wash. .345" I.D. x .88" O.D.
79	712-0158	1	S	Hex Cent. L - Nut 5/16-18 Thd.
80	15607D	1	S	Seat Pivot Bracket
81	757-0345	1	S	Seat Ass'y.
93	712-0267	1	S/F	Hex Nut 5/16-18 Thd.
94	736-0119	1	S/F	L - Wash. 5/16" I.D.
96	732-0633	1	S	Compression Spring 2.6" Lg.
97	722-0160	1		Bushing
98	736-0159	1	S	FI - Wash. .344" I.D. x .875"
99	710-0376	1	/P	Hex Bolt 5/16-18 x 1" Lg. (Gr. 5)
101	725-1441	1		Seat Switch



134B561B190 30" Lawn Tractor R-10 (1994)
Deck & Drive

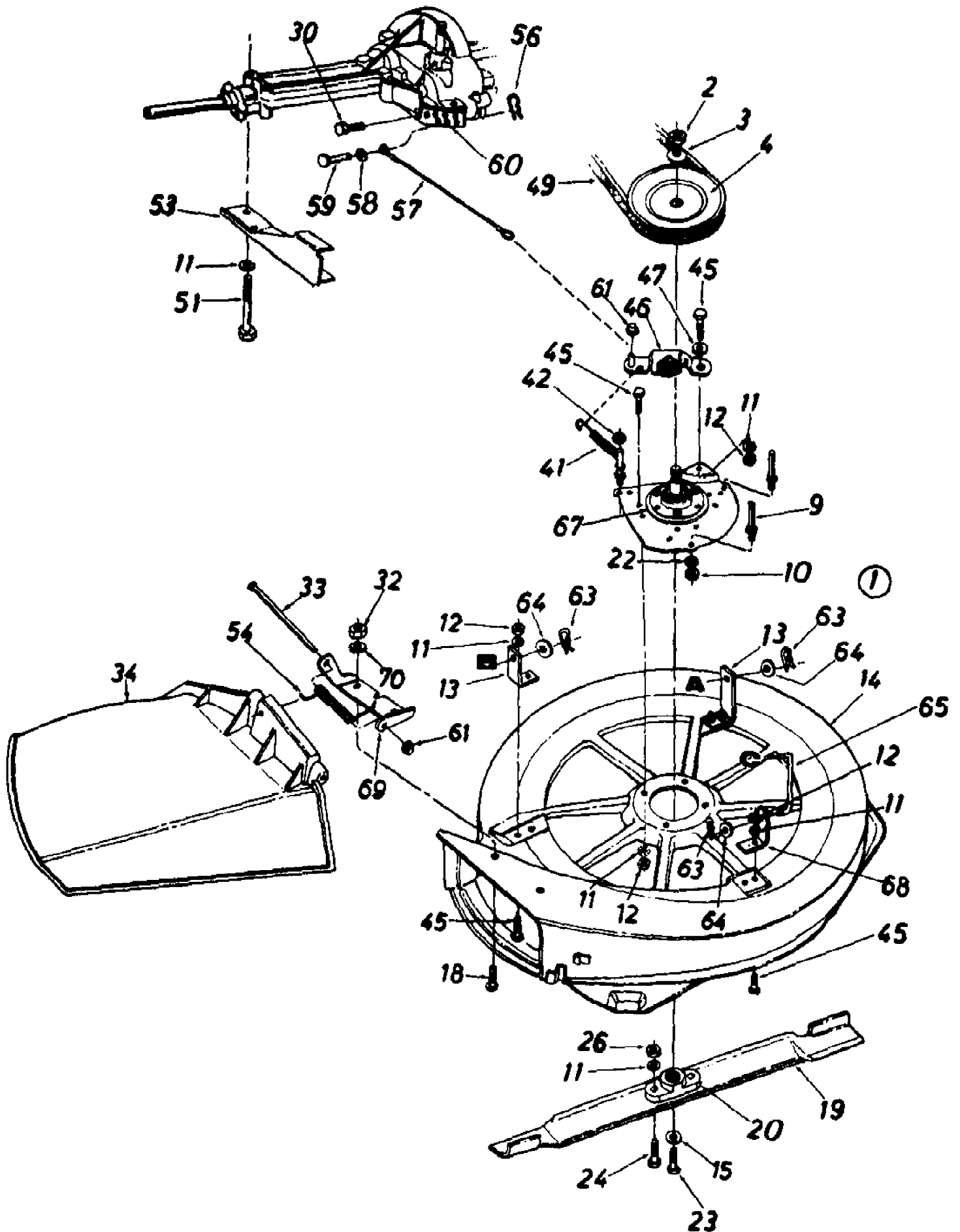
Page 5 of 18

Ref #	Part Number	Qty	S/P/F	Description
1	720-0187	1		Ball Knob 1/4-20 Thd. 1.25"
2	732-0437	1		Compression Spring
3	16389	1	S	Speed Index Bracket
4	720-0232	1	S	Shift Knob
5	747-0652	1		Speed Control Lever
6	710-0323	1	/P/F	Truss Mach. Scr. 5/16-18 x .75" Lg.
7	736-0119	1	S/F	L - Wash. 5/16" I.D.
8	712-0267	1	S/F	Hex Nut 5/16-18 Thd.
9	736-0253	1	S	Bell - Wash. .345" I.D. x .88"
10	747-0450	1		Brake Locking Rod
11	731-0493	1		Cap
12	736-0242	1	/P	Bell - Wash. .345" I.D. x .08"
13	712-0158	1	S	Hex Cent. L - Nut 5/16-18 Thd.
14	736-0154	1		Fl - Wash. .50" I.D. x 1.5" O.D.
15	735-0129	1		Rubber Washer
16	714-0145	1	S	Intern. Cotter Pin 1/2" Dia.
17	736-0275	1	S	Fl - Wash. .34" I.D. x .68" O.D.
18	16396	1		Speed Control Lever Brkt. Ass'y.
19	711-0677	1	S	Ferrule - Engagement
20	17677	1		Clutch/Brake Pedal Ass'y.
21	714-0507	1	S/F	Cotter Pin 3/32" Dia. x .75"
22	736-0426	1		Plastic Washer
23	747-0431	1		Brake Rod
24	717-0884	1		Variable Speed Pulley Ass'y.
25	736-0247	1	/P	Fl - Wash. .4" I.D. x 1.25" O.D.
26	741-0405	1	S	Thrust Brg. 1.25" O.D. x .56" I.D.
27	750-0705	1		Spacer Sleeve 2.71"
28	714-0115	1	S/F	Cotter Pin 1/8" Dia. x 1.25"
29	736-0275	1	S	Fl - Wash. .34" I.D. x .60" O.D.
30	714-0104	1	S	Intern. Cot - Pin 5/16" Dia.
31	736-0275	1	S	Fl - Wash. .34" I.D. x .60" O.D.
32	747-0451	1		Speed Control Rod
33	720-0232	1	S	Shift Knob
34	734-0594	1	S	Rear Wheel Rim Only
35	736-0242	1	/P	Bell - Wash. .345" I.D. x .88"
36	710-0627	1	/P	Hex L - Bolt 5/16-24 x .75" Lg.
37	734-0591	1	/P	Rear Wheel Ass'y. - Comp.
	734-0275	1	/P	Tire Only
38	714-0470	1	S/F	Cotter Pin 1/8" Dia. x 1.25"
39	732-0389	1		Extension Spring 17.0" Lg.
40	734-0255	1	S	Air Valve
41	16475	1		Shift Lever Ass'y.
43	710-0227	1	/P	Hex Wash. Hd. Scr. #8 x .5" Lg.
44	726-0222	1	S	Insulator Nut
45	732-0615	1		Spring Switch
46	710-0289	1	S/F	Hex Bolt 1/4-20 x .50" Lg.
47	16476	1		Shift Lever Adjusting Link
48	732-0487	1		Ext. Spring 8 1/4" Lg.
49	710-0378	1	/P	Hex Bolt 5/16-18 x 2.5" Lg.
50	747-0668	1		Shift Rod
51	714-0149B	1	S	Intern. Cotter Pin
52		1	F	Transaxle
53	710-0136			Hex Bolt 1/4-20 x 1.75" Lg.

134B561B190 30" Lawn Tractor R-10 (1994)
Deck & Drive

Page 6 of 18

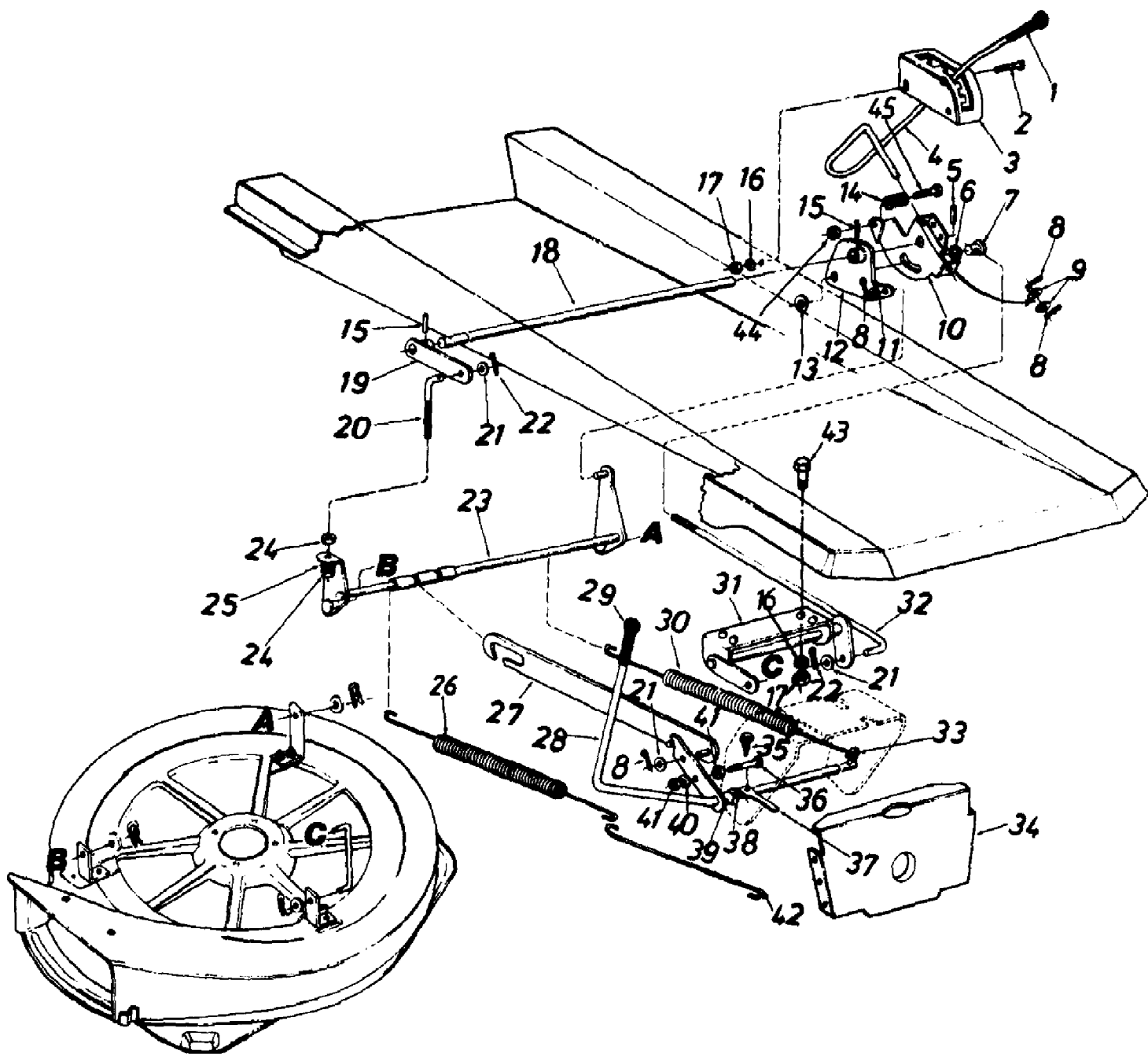
Ref #	Part Number	Qty	S/P/F	Description
54	710-0180	1	/P/F	Hex Bolt 3/8-24 x .75" Lg.
55	15564A	1	S	Torque Rod Bracket
56	712-0287	1	S/F	Hex Nut 1/4-20 Thd.
57	736-0329	1	S/F	L - Wash. 1/4" I.D.
58	710-0965	1		Self - Tap Mach. Scr. Type "C" 1/4-20 x 1.37" Lg.
59	17515A	1	/P	Shift Lever Support Brkt.
60	710-0597	1	/P/F	Hex Bolt 1/4-20 x 1.00" Lg.
61	712-0262	1	/P	Hex L - Nut 3/8-24 Thd.
62	15552	1		Transaxle Support Ass'y.
63	754-0240	1	S	V - Belt
64	710-0693	1	/P	Hex Bolt 3/8-16 x 4.5" Lg.
65	712-0116	1	S	Hex Ins. L - Nut 3/8-24 Thd.
66	656-0002	1	/P	V - Pulley
67	756-0116	1	S	V - Belt Idler .38" I.D. x 3.06"
68	732-0308	1	S	Ext. Spring .50" O.D. x 6.37"
69	710-0314	1	/P	Hex Bolt 7/16-20 x 1.00" Lg.
70	736-0171	1	S	L - Wash. 7/16" I.D.
71	756-0391	1		Engine Pulley
72	15623	1	S	Upper Eng. Belt Guard
73	736-0219	1	S	Bell - Wash. .4" I.D. x 1.12" O.D.
74	750-0686	1		Spacer .256" I.D. x .50" O.D.
75	714-0114	1	S	Sq. - Key 1/4" x 2.00" Lg.
76	736-0427	1	S	Bell - Wash..567" I.D. x 1.125"
77	736-0226	1	S	Fl - Wash..469" I.D. x .88" O.D.
78	754-0241A	1	S	V - Belt
79	750-0706	1	S	Spacer 1.00" x .380" O.D.
80	741-0405	1	S	Thrust Wash. .56" I.D. x 1.25" O.D.
81	712-3035	1	/P	Hex Jam Nut 9/16-18 Thd.
82	711-0676	1		Torque Rod
83	748-0294	1		Flange Bearing .378
84	736-0187	1	/P	Fl - Wash. .640" I.D. x 1.24"
85	15569A	1	S	Idler Bracket Ass'y.
86	736-0283	1		Thrust Wash. .635" I.D.
87	732-0556	1	S	Extension Spring 7.58" Lg.
88	736-0284	1	S	Thrust Wash. .385" I.D.
89	15585	1		Idler Bracket Ass'y. For Clutch
90	711-0640	1	S	Belt Guard Pin 3/8-16 x 2.75" Lg.
91	747-0560	1		Clutch Rod
92	735-0196	1	S	Foot Pad
93	783-0005	1		Variable Speed Mtg. Plate
94	15642	1		Weld Bolt Brkt. Ass'y.
97	712-0798	1	/P	Hex Nut 3/8-16
98	736-0217	1	S	L - Wash. 3/8 Heavy Duty
99	710-0118	1	S/F	Hex Bolt 5/16-18 x .75" Lg.
100	17839	1	S	Speed Control Rod Brkt.
101	712-0265	1	/P	Hex Sems Nut 5/16-18 Thd.
102	736-0270	1	/P	Bell - Wash. .265" I.D. x .75" O.D.
103	726-0231	1	S	Push On Retaining Ring
104	747-0758	1		Belt Guard
?107	732-0525	1		Comp. Spring Clip
108	712-0181	1	S	Hex Top L - Jam Nut 3/8-16 Thd.



134B561B190 30" Lawn Tractor R-10 (1994)
Deck & Guard Assembly

Page 8 of 18

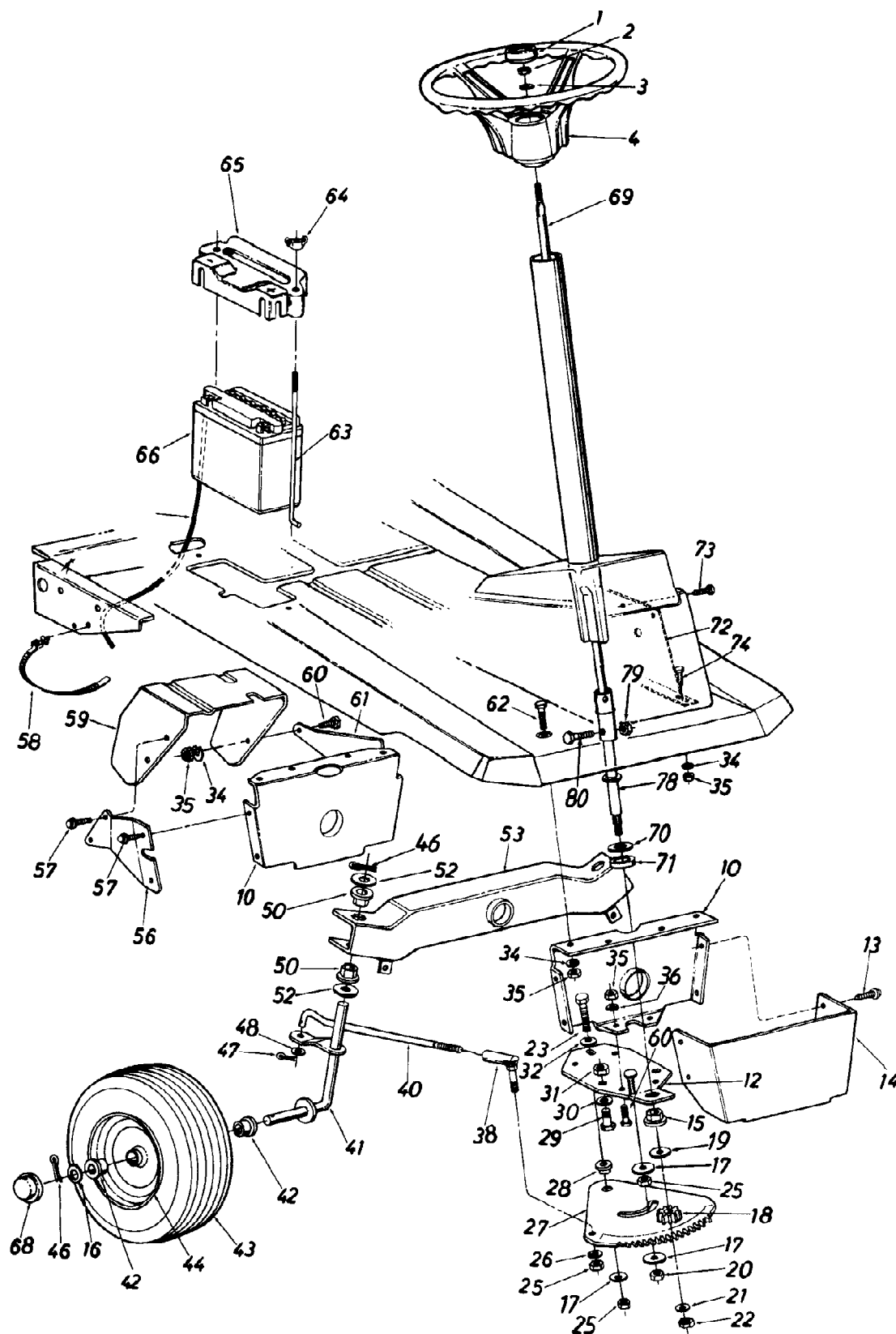
Ref #	Part Number	Qty	S/P/F	Description
1	17611	1		30" S.O. Deck Ass'y. Comp. Service Only
2	712-0318	1	/P	Hex Jam Nut 5/8-18 Thd.
3	736-0317	1	/P	Bell-Wash..630" I.D. x 1.25"
4	756-0430	1		5/8 V-Pulley.75" I.D. x 7"
9	711-0640	1	S	Stud 3/8-16 x 2.75" Lg.
10	712-0342	1	/P	Hex Jam Nut 3/8-16 Thd.
11	736-0119	1	S/F	L-Wash. 5/16" I.D.
12	712-0267	1	S/F	Hex Nut 5/16-18 Thd.
13	16706	1		Hanger Brkt. 3.25"
14	17610	1		30" S.D. Deck Ass'y.
15	736-0217	1	S	L-Wash. 3/8" I.D. Hd.
18	710-0255	1	S/F	Truss Mach. Scr. 1/4-20 x .75" Lg.
19	742-0256A	1		30" High Lift Blade
20	748-0300	1		Blade Adapter
22	736-0169	1	S/F	L-Wash. 3/8" I.D.
23	710-0152	1	S/F	Hex Bolt 3/8-24 x 1.0
24	710-0888	1	/P	Hex Bolt 5/16-24 x 1.0" Lg.
26	712-0123	1	/P/F	Hex Nut 5/16-24 Thd.
30	710-0289	1	S/F	Hex Bolt 1/4-20 x .50" Lg.
32	712-0287	1	S/F	Hex Nut 1/4-20 Thd.
33	711-0792	1	S	Hinge Pin
34	731-1032	1	S	Chute Ass'y. Comp. Incl. Ref. #33,34,54,61,69
41	732-0482	1		Extension Spring .5" O.D, x 3.2" Lg.
42	726-0201	1		Push Speed Nut
45	710-0118	1	S/F	Hex Bolt 5/16-18 x .75"
46	16053	1	S	Blade Brake Brkt. Ass'y.
47	748-0234	1	/P	Shoulder Spacer .500" Dia.
49	754-0264	1	S	"V"-Belt
51	710-0176	1	/P	Hex Bolt 5/16-18 x 2.75"
53	15625B	1		Lower Outside Belt Guard
54	732-0602	1	S	Torsion Spring
56	714-0104	1	S	Int. Cot. Pin 5/16" Dia.
57	727-0296	1		Brake Cable 9.75" Lg.
58	736-0142	1	S	FI-Wash..281" I.D. x .50"
59	711-0701	1	S	Clevis Pin 1/4" Dia.
60	15626B	1	S	Lower Inside Belt Guard
61	726-0106	1	S	Cap Speed Nut 1/4" Rod
63	714-0145	1	S	Int. Cotter Pin 1/2" Dia.
64	736-0160	1	S	FI-Wash..531" I.D. x .930"
65	747-0428	1		Deck Link 3.9" Lg.
67	717-0916	1		Blade Spindle Ass'y. Comp.
68	15621A	1		Weld Bracket
69	703-1693	1	S	Hinge Mtg. Brkt.
70	736-0270	1	/P	Bell-Wash. 1/4" I.D.



134B561B190 30" Lawn Tractor R-10 (1994)
Deck Lift Assembly

Page 10 of 18

Ref #	Part Number	Qty	S/P/F	Description
1	720-0223	1		Grip
2	710-0323	1	/P/F	Truss Mach. Scr. 5/16-18 x .75" Lg.
3	16397	1		Deck Index Bracket
4	747-0651	1		Deck Lift Handle
5	715-0134	1	S	Spring Pin Spir. 3/16" Dia. x 1.50" Lg.
6	736-0187	1	/P	FI-Wash..385" I.D. x .87" O.D.
7	711-0749	1		Adj. Ferrule Deck Lift Handle
8	714-0115	1	S/F	Cotter Pin 1/8" Dia. x 1.0"
9	736-0160	1	S	FI-Wash..531" I.D. x .930" O.D.
10	16401A	1		Deck Lift Handle Retainer
11	736-0300	1	S	FI-Wash..385" I.D. x .87" O.D.
12	15578	1		Deck Lift Brkt. Ass'y. - L.H.
13	736-0162	1	/P	FI-Wash..635" I.D. x 1.04" O.D.
14	732-0711	1		Compression Spring .5" Dia. x .9" Lg.
15	715-0114	1	S	Spring Pin Spir. 1/4" Dia. x 1.50" Lg.
16	736-0119	1	S/F	L-Wash. 5/16" I.D.
17	712-0267	1	S/F	Hex Nut 5/16-18 Thd.
18	738-0550	1		Rear Hgt. Adj. Shaft
19	15609A	1		Deck Lift Brkt. Ass'y. - R.H.
20	710-0866	1		Deck Adj. Scr. 3/8-16 Thd.
21	736-0300	1	S	FI-Wash..385" I.D. x .87" O.D.
22	714-0145	1	S	Intern. Cotter Pin 1/2" Dia.
23	15600A	1		Deck Link Ass'y. - Rear
24	712-0798	1	/P/F	Hex Nut 3/8-16 Thd.
25	736-0169	1	S/F	L-Wash. 3/8" I.D.
26	732-0540	1		Extension Spring 13.84" Lg.
27	15644A	1	S	Deck Drive Control Bracket
28	15568A	1	/P	Blade Engagement Lever Ass'y.
29	720-0223	1		Grip
30	732-0540	1		Extension Spring .73" O.D. x 13.84" Lg.
31	15573A	1	/P	Deck Lift Ass'y. - Front
32	747-0426	1		Deck Lift Connecting Rod
33	711-0753	1		Clevis Pin Special .250" Dia.
34	15613A	1		Pivot Bar Bracket
35	710-3243	1		Hex TT - Tap Scr. #12-24 x .5" Lg.
36	710-0805	1	/P	Hex Bolt 5/16-18 x 1.50" Lg. (Grade 5)
37	732-0435	1		Switch Actuator
38	736-0160	1	S	FI-Wash..531" I.D. x .930" O.D.
39	750-0760	1		Spacer .511" I.D. x .70" O.D. x .38" Lg.
40	736-0119	1	S/F	L-Wash. 5/16" I.D.
41	712-0267	1	S/F	Hex Nut 5/16-18 Thd.
42	732-0451B	1	/P	Spring Hook
43	710-0118	1	S	Hex Bolt 5/16-18 x .75" Lg.
44	712-0291	1	S	Hex Cent. L-Nut 1/4-20 Thd.
45	710-0106	1	/P/F	Hex Bolt 1/4-20 x 1.25" Lg.



134B561B190 30" Lawn Tractor R-10 (1994)
Steering Assembly

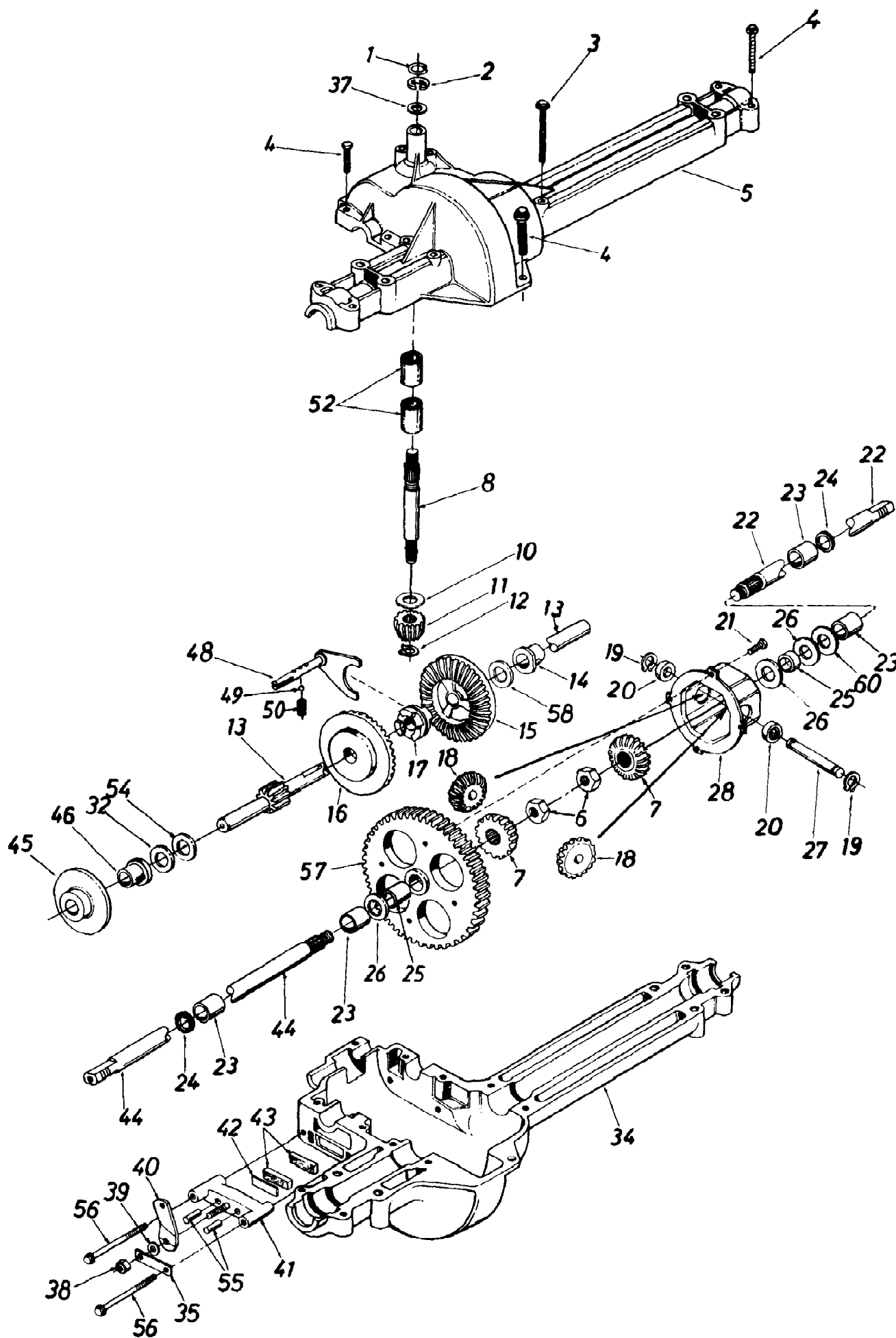
Page 12 of 18

Ref #	Part Number	Qty	S/P/F	Description
1	731-0220	1	S	Steering Wheel Cap
2	712-0237	1	S	Hex L-Nut 5/16-24 Thd.
3	736-0242	1	/P	Bell-Wash..345" I.D. x .88" O.D
4	731-0805	1	S	Steering Wheel Ass'y.
10	15613A	1		Pivot Bar Bracket
12	683-0045	1		Steering Gear Support Brkt.
13	710-0776A	1	S	Hex Wash. Hd. AB-Tap Scr. 1/4 x .62" Lg.
14	15608	1		Steering Gear Cover
15	741-0225	1	S	Hex Flange Bearing
16	736-0285	1	/P	FI-Wash..64" I.D. x 1.5" O.D.
17	736-0320	1	/P	FI-Wash. 3/8" I.D. x 1.37" O.D.
18	748-0290	1	S	Steering Pinion Gear
19	736-0272	1	S	FI-Wash..51" I.D. x 1" O.D.
20	712-0116	1	S	Hex L-Nut 3/8-24
21	736-0275	1	S	FI-Wash..34" I.D. x .68" O.D.
22	712-0123	1	/P	Hex L-Nut 5/16-24 Thd.
23	710-0459	1	S	Hex Bolt 3/8-24 x 1.5" Lg. (Grade 5)
?24	736-0320	1	/P	FI-Wash..385" I.D. x 1.38"
25	712-0241	1	/P/F	Hex Nut 3/8-24 Thd.
26	736-0169	1	S/F	L-Wash. 3/8" I.D.
27	717-0472A	1	S	Steering Gear Segment
28	738-0541	1	S	Shoulder Spacer .622" Dia. x .218
29	710-0689	1	/P	Hex Bolt (Nylon) 1/2-13 x .75"
30	736-0160	1	S	FI-Wash..530" I.D. x .930"
31	712-0206	1	S/F	Hex Nut 1/2-13 Thd.
32	736-0105	1	/P	Bell-Wash..385" I.D. x .88"
?33	712-0241	1	/P/F	Hex Nut 3/8-24 Thd.
34	736-0119	1	S/F	L-Wash. 5/16" I.D.
35	712-0267	1	S/F	Hex Nut 5/16-18 Thd.
36	736-0271	1	S	Spr. Wash..32" I.D. x .62" O.D.
38	723-0156	1	S	Ball Joint Ass'y. 3/8-24 Thd.
40	747-0417	1	S	Steering Tie Rod
41	683-0012	1	S	Front Axle Ass'y. - R.H.
	683-0011	1	S	Front Axle Ass'y.- L.H. Not shown
42		1		Flange Bearing .632" I.D. See "Front Wheel" items
43		1		Front Wheel Ass'y. Comp. See "Front Wheel" items
44		1		Front Wheel Rim Only See "Front Wheel" items
46	714-0470	1	S/F	Cotter Pin 1/8" Dia. x 1.25"
47	714-0115	1	S/F	Cotter Pin 1/8" Dia. x 1.00"
48	736-0300	1	S	FI-Wash..385" I.D. x .87"
50	741-0225	1	S	Hex Flange Bearing
52	736-0156	1	/P	FI-Wash..635" I.D. x 1.12"
53	15610A	1	S	Pivot Bar Ass'y.
56	15694A	1		Bracket Reinforcement - R.H.
57	710-0776A	1	S	Hex Wash. Hd. AB-Tap Scr. 1/4 x .62" Lg.
58	726-0154	1	S	Cable Tie
59	17677	1		Clutch-Brake Pedal Ass'y.
60	710-0118	1	S/F	Hex Bolt 5/16-18 x .75" Lg.

134B561B190 30" Lawn Tractor R-10 (1994)
Steering Assembly

Page 13 of 18

Ref #	Part Number	Qty	S/P/F	Description
61	15699A	1		Bracket Reinforcement - L.H.
62	710-0118	1	S/F	Hex Bolt 5/16-18 x .75" Lg.
63	711-0222	1	S	Battery Hold Down Rod
64	712-0113	1	S	Wing Nut Solid 1/4-20 Thd.
65	731-0708	1		Battery Hold Down Cover
66	725-1633	1	S	12V Battery
68	731-0484A	1	S	Hub Cap
69	683-0034	1		Steering Shaft Ass'y.
70	736-0187	1	/P	Fl-Wash..62" I.D. x 1.25" O.D.
71	750-0532	1	S	Spacer Plastic
72	16069	1		Reinf. Brkt. Ass'y.
73	710-0323	1	/P	Truss Mach. Scr. 5/16-18
74	710-0116	1	S	Hex Bolt 5/16-18 x 2.00" Lg.
78	738-3089A	1	/P	Steering End Adapter
79	712-0324	1	/P	Hex Nylon L-Nut 1/4-20 Thd.
80	710-0958	1	/P	Hex Bolt 1/4-20 x 1.31" Lg.
	734-1454A	1	S	Wheel Assembly Comp. Front Wheel Item
	734-1382	1	S	Tire Only Front Wheel Item
	734-1455	1		Rim Only Front Wheel Item
	741-0487A	1	S	Bearing Front Wheel Item
	734-0255	1	S	Air Valve Front Wheel Item
	737-0280	1	S	Grease Fitting Front Wheel Item



134B561B190 30" Lawn Tractor R-10 (1994)
Transaxle L.H.

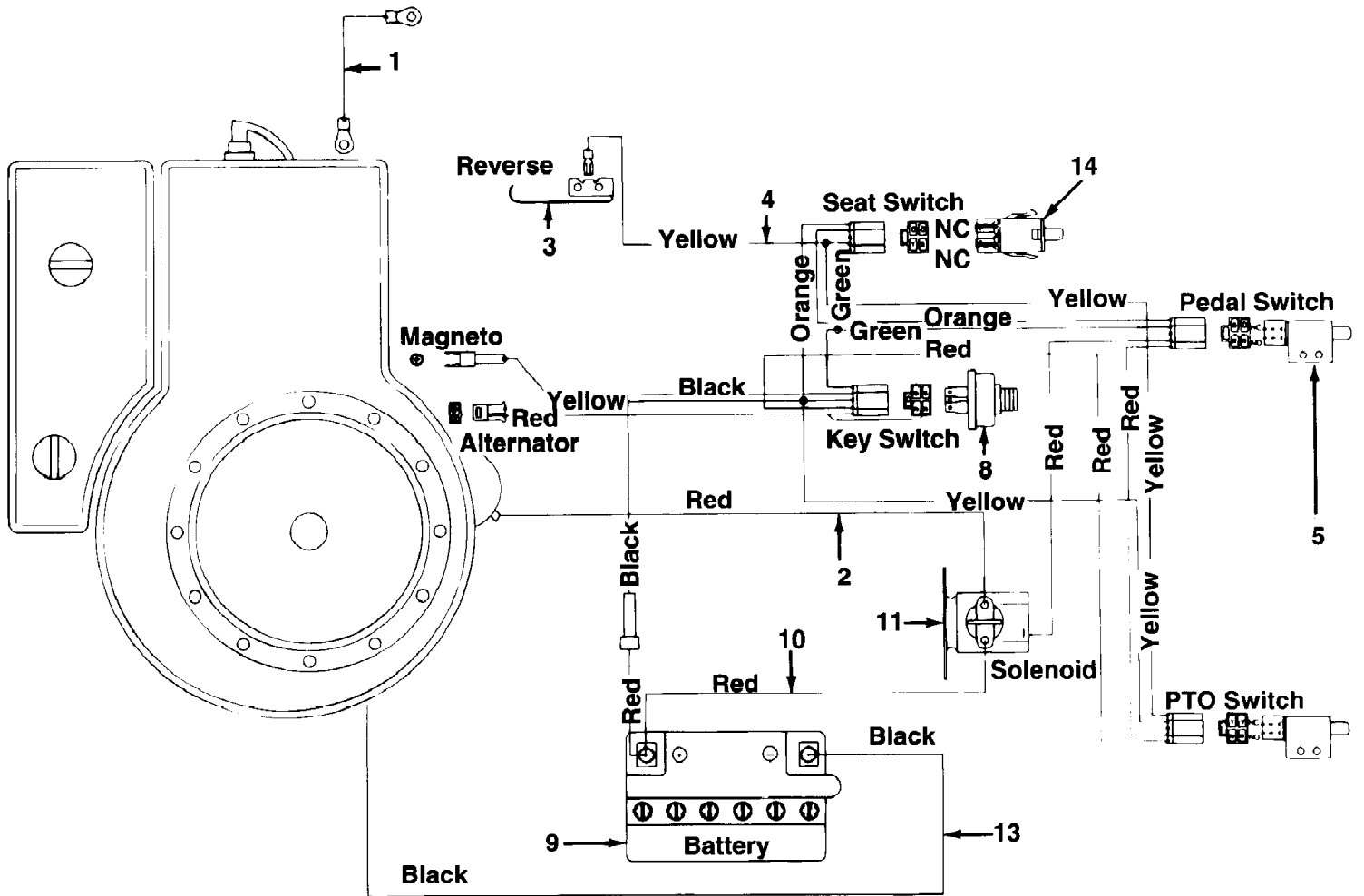
Page 15 of 18

Ref #	Part Number	Qty	S/P/F	Description
1	732-0614	1		Wire Ring
2	716-0231	1	S	"E" - Ring
3	710-0854	1	S	Hex Bolt 1/4-20 x 1.75" Lg. For faster service obtain standard nuts, bolts and washers locally. If these items cannot be obtained locally, order by part number and size as shown on parts list.
4	710-0809	1		Hex Tap Scr. 1/4-20 x 1.25" Lg.
5	719-0314	1	S	Upper Housing
6	712-0200A	1	/P	Hex Jam Nut 1/2-20 Thd.
7	717-1019	1	S	Miter Gear
8	711-0861	1		Input Shaft
10	736-0335	1	S	Thrust Washer 5/8" I.D. x 1.25" O.D.
11	717-0633	1	S	Pinion Input 14T
12	716-0171	1	S	Retaining Ring
13	711-0942	1	S	Drive Shaft - L.H. Brake
14	741-0336	1	S/F	Flange Brg. 5/8" I.D. x 3/4" Lg.
15	717-1362	1	S	Bevel Gear 42T - Small I.D.
16	717-1363	1	S	Bevel Gear 42T - Large I.D.
17	718-0228	1		Clutch Collar
18	717-1020	1	/P	Miter Gear 15T (H.D.)
19	716-0184	1	S	Snap Ring
20	741-0589	1	S	Thrust Bearing
21	710-0862A	1	/P	Pan Head Scr. 1/4-20 x .50" Lg. w/Patch
22	717-0771A	1		Axle R.H. Code: N notates a new part (not previously existing).
23	741-0340	1	S	Sleeve Bearing 3/4" I.D. x 1.0" Lg.
24	721-0179	1	S	Oil Seal 3/4" I.D.
25	750-0767	1		Axle Spacer
26	736-0445	1	S	FI-Wash..760" I.D. x 1.5" O.D.
27	711-0918	1	/P	Cross Shaft
28	717-1252	1	S	Differential Can Ass'y.
32		1		Washer (See Below)
	736-0495	1	S	Thrust Wash. 5/8" I.D. x 1" O.D. x .025" Thk.
	736-0336	1	S	FI-Wash. 5/8" I.D. x 1" O.D. x .030" Thk.
	736-0494	1		Thrust Wash. 5/8" I.D. x 1" O.D. x .035" Thk.
	736-0337	1	S	FI-Wash. 5/8" I.D. x 1" O.D. x .040" Thk.
34	719-0313	1	S	Lower Housing
35	718-0150	1		Anti-Rotation Brkt.
37		1		Washer (See Below)
	736-0349	1	S	FI-Wash. 5/8" I.D. x 1" O.D. x .020" Thk.
	736-0336	1	S	FI-Wash. 5/8" I.D. x 1" O.D. x .030" Thk.
	736-0337	1	S	FI-Wash. 5/8" I.D. x 1" O.D. x .040" Thk.
38	712-0273	1	S	Hex Nut 5/16-24 Thd.
39	736-0371	1	/P	FI-Wash..344" I.D. x .875" O.D.
40	717-0772A	1	S	Actuating Arm
41	761-0198	1	S	Brake Yoke
42	717-0682	1	S	Puck Plate
43	717-0678	1	S	Brake Puck
44	717-0770A	1		Axle L.H.
45	761-0202	1		Brake Disc
46	741-0337	1		Washer 5/8" I.D. x 15/16" Lg.

134B561B190 30" Lawn Tractor R-10 (1994)
Transaxle L.H.

Page 16 of 18

Ref #	Part Number	Qty	S/P/F	Description
48	611-0011	1	S	Shift Fork Ass'y.
49	741-0862	1	/P	Ball Detent .250" Dia.
50	732-0863	1	S	Spring Detent
52	741-0335	1	S	Needle Brg. 5/8" I.D. x 1/2" Lg.
54	736-0349	1	S	FI-Wash. 5/8" I.D. x 1" O.D. x .020 Thk.
55	741-0343	1	S	Actuating Pin 5/16" Dia.
56	710-1206	1	/P	Hex Wash Hd. Self-Tap Scr. 1/4-20 Thd.
57	717-1364	1	S	Differential Gear 58T
58	736-0349	1	S	FI-Wash. 5/8" I.D. x 1" O.D. x .020 Thk.
	736-0495	1	S	Thrust Wash. 5/8" I.D. x 1" O.D. x .025" Thk.
60		1		Washer (See Below)
	736-0492	1	S	FI-Wash..76" I.D. x 1.5" O.D. x .010" Thk.
	736-0493	1	S	FI-Wash..76" I.D. x 1.5" O.D. x .020" Thk.
	736-0351	1	S	FI-Wash..76" I.D. x 1.5" O.D. x .030" Thk.
	736-0445	1	S	FI-Wash..76" I.D. x 1.5" O.D. x .060" Thk.
	737-0148	1	S	Grease - Shell 15 oz.



134B561B190 30" Lawn Tractor R-10 (1994)
Wiring Diagram

Page 18 of 18

Ref #	Part Number	Qty	S/P/F	Description
1	725-0977	1	S	Elec. Wire 8 Ga. x 9.0" Lg.
2	725-0424	1	S	Elec. Wire
3	732-0615	1		Spring Switch - Reverse
4	629-0054	1		Wire Harness
5	725-1657	1	S	Safety Switch Code: N notates a new part (not previously existing).
8	725-0267	1	S	Ignition Switch
9	725-1633	1	S	Battery 12V
10	725-0927	1		Elec. Wire Red w/Boot
11	725-1426	1	S	Solenoid
13	725-0975	1		Elec. Wire 8 Ga. x 9.0" Lg.
14	725-1441	1		Seat Switch